

Utility Trailer Check-In Form

Stock# _____ VIN# _____ Lic. Plate # _____

- Breakaway & Battery
- Safety Chains
- Ball lubed / secure
- Marker lights operative
- Reflectors Intact
- Tires (don't forget spare)
 - Enough Tread depth
 - Pressure Correct
 - No visible dry rot
- Left turn signal
- Right turn signal
- License Plate & Light
- Brake Pads
- Brake Rotors
- Wheels/Lugs Secure
- Frame/Floor Secure
- Door/Latches Secure
- Hitch Secure to tow vehicle
- Coupler
- Equipment Secure (cargo)
- Fire Extinguisher
- Spare bulbs for marker lights

Comments:



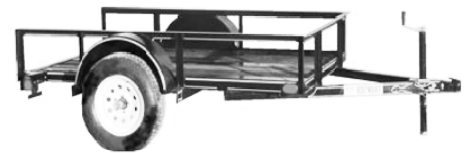
I have reviewed the items listed above and agree with what is shown _____ Service Tech Date _____
 I have reviewed the items listed above and agree with what is shown _____ Rental Agent Date _____
 I have reviewed the items listed above and agree with what is shown _____ Lessee Date _____

Utility Trailer Check-Out Form

Stock# _____ VIN# _____ Lic. Plate # _____

- Breakaway & Battery
- Safety Chains
- Ball lubed / secure
- Marker lights operative
- Reflectors Intact
- Tires (don't forget spare)
 - Enough Tread depth
 - Pressure Correct
 - No visible dry rot
- Left turn signal
- Right turn signal
- License Plate & Light
- Brake Pads
- Brake Rotors
- Wheels/Lugs Secure
- Frame/Floor Secure
- Door/Latches Secure
- Hitch Secure to tow vehicle
- Coupler
- Equipment Secure (cargo)
- Fire Extinguisher
- Spare bulbs for marker lights

Comments:



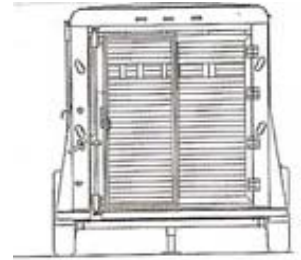
I have reviewed the items listed above and agree with what is shown _____ Service Tech Date _____
 I have reviewed the items listed above and agree with what is shown _____ Rental Agent Date _____
 I have reviewed the items listed above and agree with what is shown _____ Lessee Date _____

Gooseneck Horse Trailer Check-Out Form

Stock# _____ VIN# _____ Lic. Plate # _____

- Breakaway & Battery
- Safety Chains
- Ball lubed / secure
- Marker lights operative
- Reflectors Intact
- Tires (don't forget spare)
 - Enough Tread depth
 - Pressure Correct
 - No visible dry rot
- Left turn signal
- Right turn signal
- License Plate & Light
- Brake Pads
- Brake Rotors
- Wheels/Lugs Secure
- Frame/Floor Secure
- Door/Latches Secure
- Hitch Secure to tow vehicle
- Coupler
- Equipment Secure (cargo)
- Fire Extinguisher
- Triangles/Flares
- Spare bulbs for marker lights

Comments:



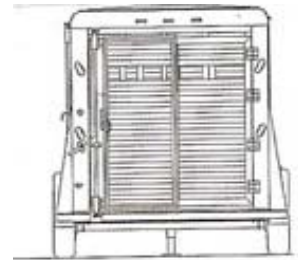
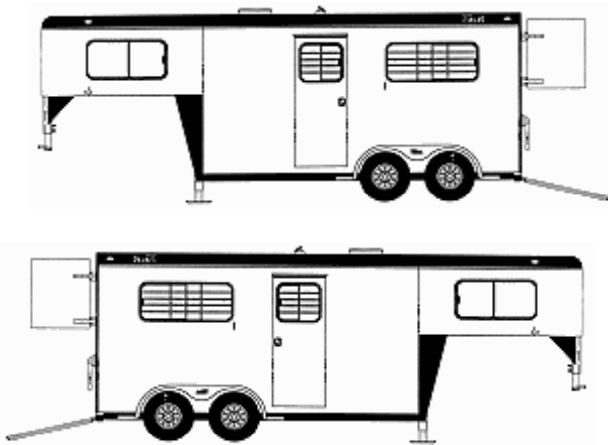
I have reviewed the items listed above and agree with what is shown _____ Service Tech Date _____
 I have reviewed the items listed above and agree with what is shown _____ Rental Agent Date _____
 I have reviewed the items listed above and agree with what is shown _____ Lessee Date _____

Gooseneck Horse Trailer Check-In Form

Stock# _____ VIN# _____ Lic. Plate # _____

- Breakaway & Battery
- Safety Chains
- Ball lubed / secure
- Marker lights operative
- Reflectors Intact
- Tires (don't forget spare)
 - Enough Tread depth
 - Pressure Correct
 - No visible dry rot
- Left turn signal
- Right turn signal
- License Plate & Light
- Brake Pads
- Brake Rotors
- Wheels/Lugs Secure
- Frame/Floor Secure
- Door/Latches Secure
- Hitch Secure to tow vehicle
- Coupler
- Equipment Secure (cargo)
- Fire Extinguisher
- Triangles/Flares
- Spare bulbs for marker lights

Comments:



I have reviewed the items listed above and agree with what is shown _____ Service Tech Date _____
 I have reviewed the items listed above and agree with what is shown _____ Rental Agent Date _____
 I have reviewed the items listed above and agree with what is shown _____ Lessee Date _____

Flatbed Trailer Check-Out Form

Stock# _____ VIN# _____ Lic. Plate # _____

- ___ Safety Chains
- ___ Pintle hook & draw bar
(or ball-and-tongue)
- ___ Marker lights operative
- ___ Reflectors Intact
- ___ Tires (don't forget spare)
 - ___ Enough Tread depth
 - ___ Pressure Correct
 - ___ No visible dry rot
- ___ License Plate
- ___ Brake Pads
- ___ Brake Rotors
- ___ Wheels/Lugs Secure
- ___ Flooring
- ___ Hitch Secure to tow vehicle
- ___ Coupler
- ___ Equipment Secure (cargo)
- ___ Triangles/Flares

Comments:



I have reviewed the items listed above and agree with what is shown _____ Service Tech Date _____
 I have reviewed the items listed above and agree with what is shown _____ Rental Agent Date _____
 I have reviewed the items listed above and agree with what is shown _____ Lessee Date _____

Flatbed Trailer Check-In Form

Stock# _____ VIN# _____ Lic. Plate # _____

- ___ Safety Chains
- ___ Pintle hook & draw bar
(or ball-and-tongue)
- ___ Marker lights operative
- ___ Reflectors Intact
- ___ Tires (don't forget spare)
 - ___ Enough Tread depth
 - ___ Pressure Correct
 - ___ No visible dry rot
- ___ License Plate
- ___ Brake Pads
- ___ Brake Rotors
- ___ Wheels/Lugs Secure
- ___ Flooring
- ___ Hitch Secure to tow vehicle
- ___ Coupler
- ___ Equipment Secure (cargo)
- ___ Triangles/Flares

Comments:



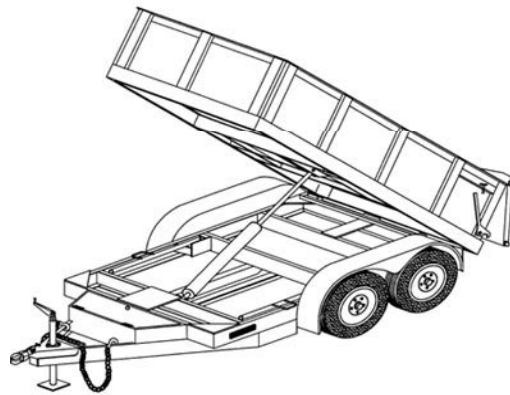
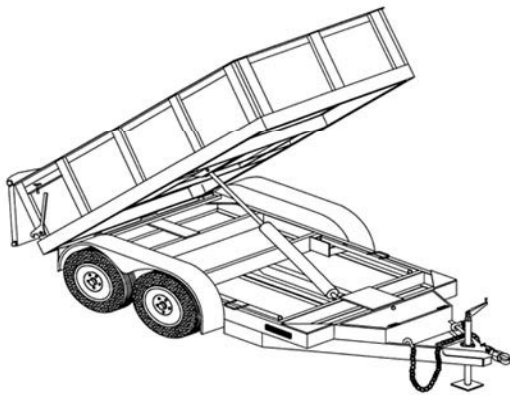
I have reviewed the items listed above and agree with what is shown _____ Service Tech Date _____
 I have reviewed the items listed above and agree with what is shown _____ Rental Agent Date _____
 I have reviewed the items listed above and agree with what is shown _____ Lessee Date _____

Dump Trailer Check-Out Form

Stock# _____ VIN# _____ Lic. Plate # _____

- Safety Chains
- Pintle hook & draw bar
(or ball-and-tongue)
- Marker lights operative
- Reflectors Intact
- Tires (don't forget spare)
 - Enough Tread depth
 - Pressure Correct
 - No visible dry rot
- License Plate
- Brake Pads
- Brake Rotors
- Wheels/Lugs Secure
- Flooring
- Hitch Secure to tow vehicle
- Coupler
- Equipment Secure (cargo)
- Triangles/Flares

Comments:



I have reviewed the items listed above and agree with what is s

I have reviewed the items listed above and agree with what is shown _____ Rental Agent Date _____

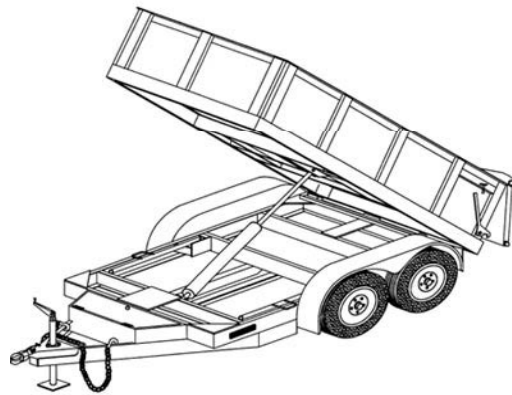
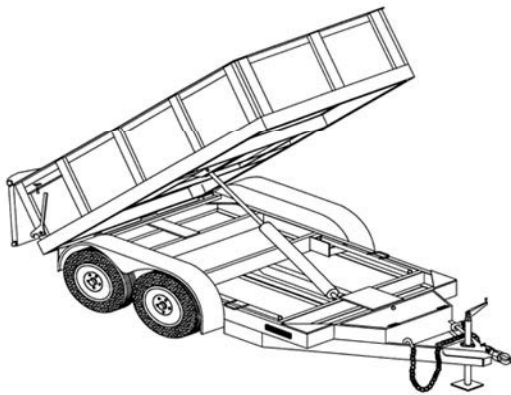
I have reviewed the items listed above and agree with what is shown _____ Lessee Date _____

Dump Trailer Check-In Form

Stock# _____ VIN# _____ Lic. Plate # _____

- ___ Safety Chains
- ___ Pintle hook & draw bar
(or ball-and-tongue)
- ___ Marker lights operative
- ___ Reflectors Intact
- ___ Tires (don't forget spare)
 - ___ Enough Tread depth
 - ___ Pressure Correct
 - ___ No visible dry rot
- ___ License Plate
- ___ Brake Pads
- ___ Brake Rotors
- ___ Wheels/Lugs Secure
- ___ Flooring
- ___ Hitch Secure to tow vehicle
- ___ Coupler
- ___ Equipment Secure (cargo)
- ___ Triangles/Flares

Comments:



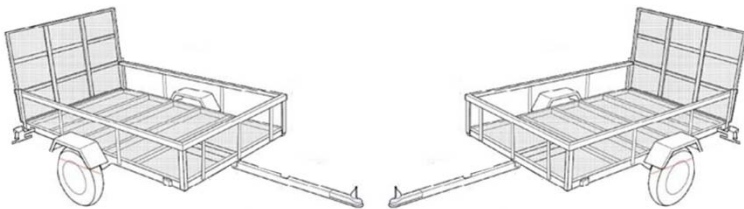
I have reviewed the items listed above and agree with what is s _____
 I have reviewed the items listed above and agree with what is shown _____ Rental Agent Date _____
 I have reviewed the items listed above and agree with what is shown _____ Lessee Date _____

ATV/Motorcycle Trailer Check-Out Form

Stock# _____ VIN# _____ Lic. Plate # _____

- All lights operating
- All tires (tire pressure & tread)
- All wheel lugs
- Safety chains connected
& crisscrossed
- Breakaway switch and lanyard
- Coupler locking pin
- Electric cable
- Tongue jack fully up
- Dolly wheel removed
- Stabilizer jacks (if appropriate)
- Load distributed in trailer so
that proper tongue weight is
maintained (about 10%)
- Trailer is level when attached
- Bearings greased
- Coupler (make sure size
matches ball size)
- Pin & clip installed through
drawbar of hitch

Comments:



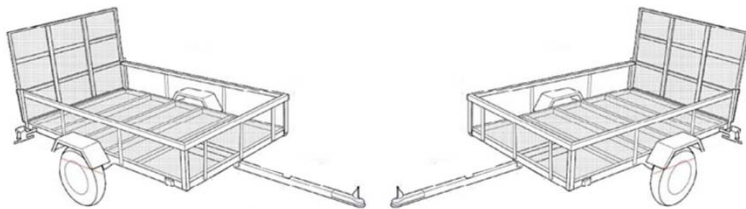
I have reviewed the items listed above and agree with what is shown _____ Service Tech Date _____
 I have reviewed the items listed above and agree with what is shown _____ Rental Agent Date _____
 I have reviewed the items listed above and agree with what is shown _____ Lessee Date _____

ATV/Motorcycle Trailer Check-In Form

Stock# _____ VIN# _____ Lic. Plate # _____

- All lights operating
- All tires (tire pressure & tread)
- All wheel lugs
- Safety chains connected
& crisscrossed
- Breakaway switch and lanyard
- Coupler locking pin
- Electric cable
- Tongue jack fully up
- Dolly wheel removed
- Stabilizer jacks (if appropriate)
- Load distributed in trailer so
that proper tongue weight is
maintained (about 10%)
- Trailer is level when attached
- Bearings greased
- Coupler (make sure size
matches ball size)
- Pin & clip installed through
drawbar of hitch

Comments:



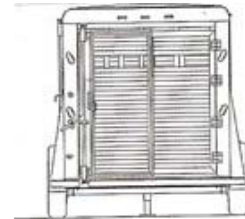
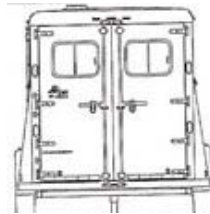
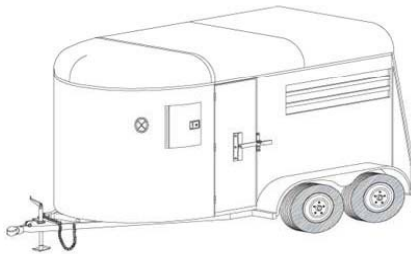
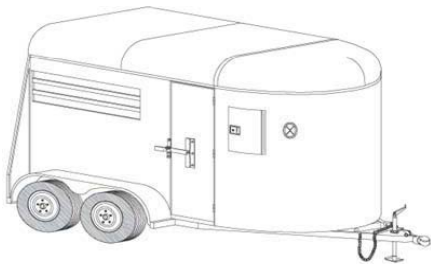
I have reviewed the items listed above and agree with what is shown _____ Service Tech Date _____
 I have reviewed the items listed above and agree with what is shown _____ Rental Agent Date _____
 I have reviewed the items listed above and agree with what is shown _____ Lessee Date _____

Standard Horse Trailer Check-Out Form

Stock# _____ VIN# _____ Lic. Plate # _____

- Breakaway & Battery
- Safety Chains
- Ball lubed / secure
- Marker lights operative
- Reflectors Intact
- Tires (don't forget spare)
 - Enough Tread depth
 - Pressure Correct
 - No visible dry rot
- Left turn signal
- Right turn signal
- License Plate & Light
- Brake Pads
- Brake Rotors
- Wheels/Lugs Secure
- Frame/Floor Secure
- Door/Latches Secure
- Hitch Secure to tow vehicle
- Coupler
- Equipment Secure (cargo)
- Fire Extinguisher
- Triangles/Flares
- Spare bulbs for marker lights

Comments:



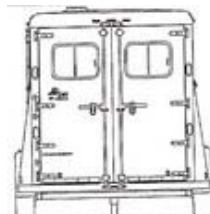
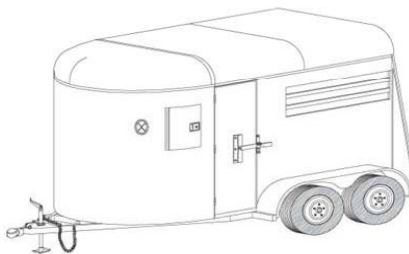
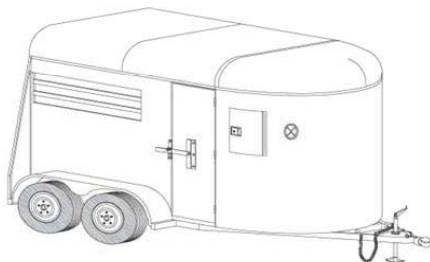
I have reviewed the items listed above and agree with what is shown _____ Service Tech Date _____
 I have reviewed the items listed above and agree with what is shown _____ Rental Agent Date _____
 I have reviewed the items listed above and agree with what is shown _____ Lessee Date _____

Standard Horse Trailer Check-In Form

Stock# _____ VIN# _____ Lic. Plate # _____

- Breakaway & Battery
- Safety Chains
- Ball lubed / secure
- Marker lights operative
- Reflectors Intact
- Tires (don't forget spare)
 - Enough Tread depth
 - Pressure Correct
 - No visible dry rot
- Left turn signal
- Right turn signal
- License Plate & Light
- Brake Pads
- Brake Rotors
- Wheels/Lugs Secure
- Frame/Floor Secure
- Door/Latches Secure
- Hitch Secure to tow vehicle
- Coupler
- Equipment Secure (cargo)
- Fire Extinguisher
- Triangles/Flares
- Spare bulbs for marker lights

Comments:



I have reviewed the items listed above and agree with what is shown _____ Service Tech Date _____
 I have reviewed the items listed above and agree with what is shown _____ Rental Agent Date _____
 I have reviewed the items listed above and agree with what is shown _____ Lessee Date _____